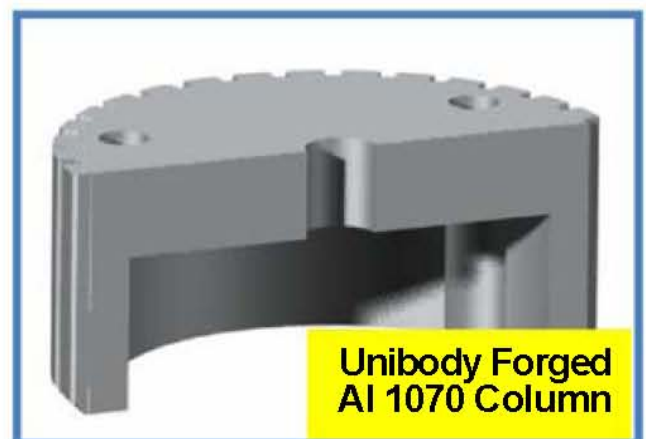
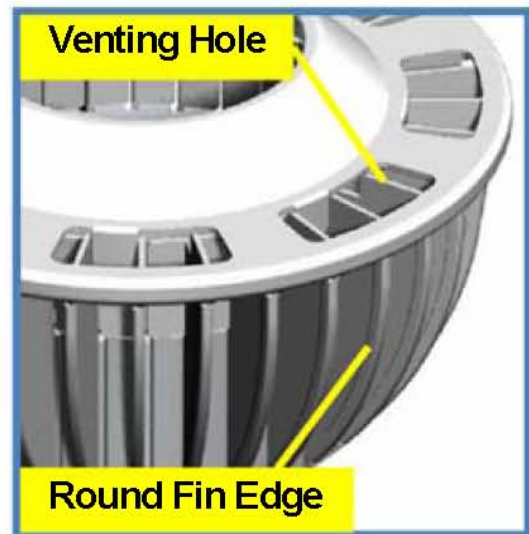


LED Thermal Solution

MR16 LED Heat Sink

Features

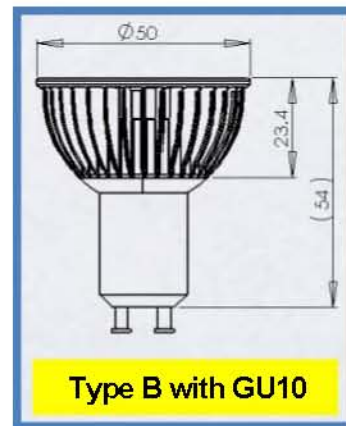
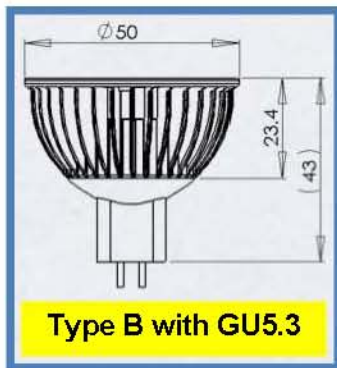
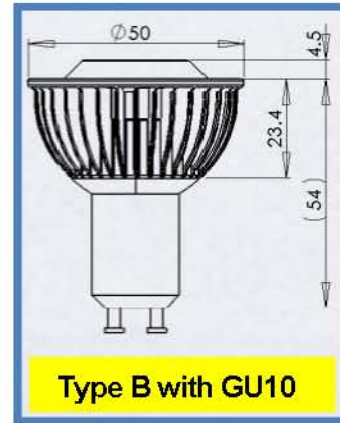
- Superb Thermal Capability: 7W
- Unibody forged AL1 070 Column, better conductivity than AL6063 20%, ADC1 2 100%
- Elegant appearance
- Superb light weight design. 2/3 lighter than extrusion & casting
- Patented "hemming fin " design. High reliability
- Round fin edge



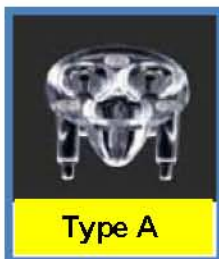
LED Thermal Solution

MR16 LED Heat Sink

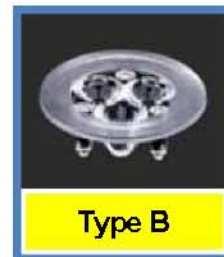
Dimensions



Compliant Lens



D23.1 x L10.9



D35 x L7.2