

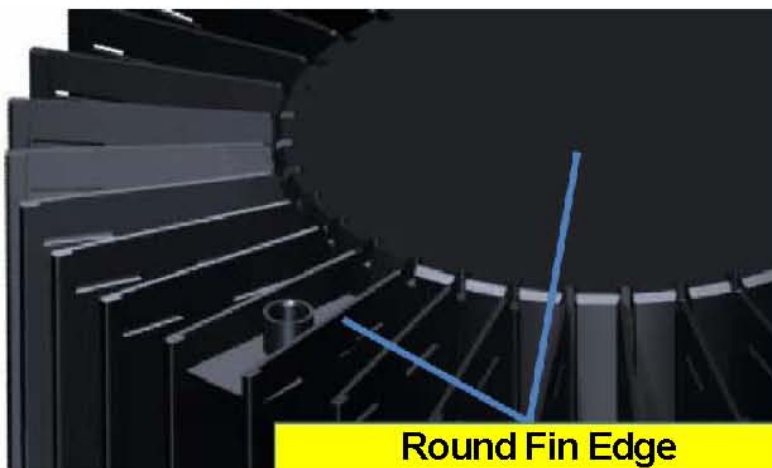
# LED Thermal Solution

---

## HighBay Heat Sink

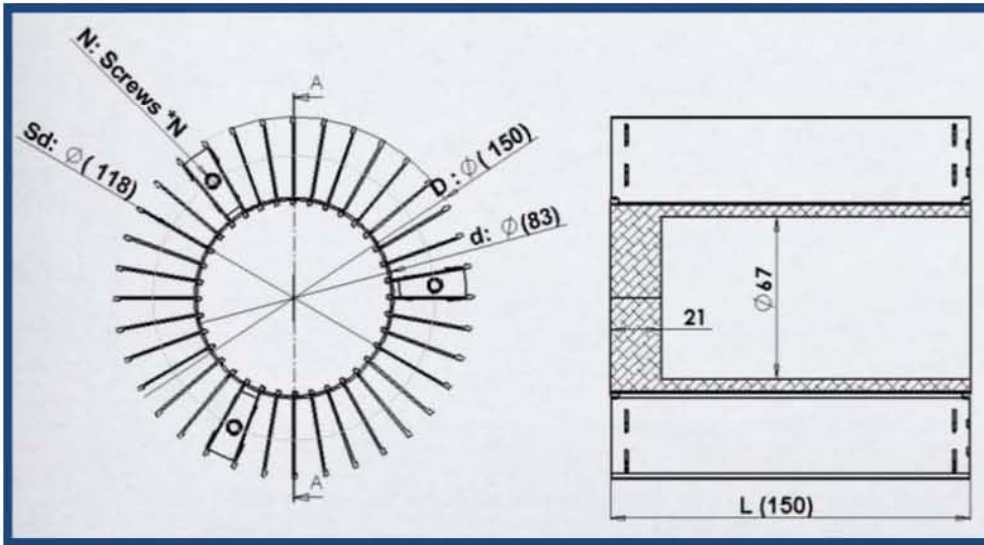
### Features

- Superb Thermal Capability: 80W ->250W
- Wide dimensions (D= 100-'260mm, L=75-'200mm)
- Unibody forged AL1070 Column, better conductivity than AL6063 20%, ADC12 100%
- Superb light weight design. 2/3 lighter than extrusion
- Patented "hemming fin" design. High reliability
- Round fin edge



# LED Thermal Solution

## High Bay Heat Sink



### Dimensions

Dimensions (mm)	D (mm)				L (mm)				Sd (mm) Customized	Fin Number	N Equal portion by "Sd"
	Min.			Max	Min.			Max			
d=60	127	160	177	217	74	100	150	200	(118)	36	Multiple of 3 or 4
d=83	150	183	200	240					(118)		

### Weight

Dimension (mm)	OD (mm)	Weight (g)				Estimate Thermal Capacity (W)		
		L=74.3(mm)	L=100(mm)	L=150(mm)	L=201.4(mm)	L=100(mm)	L=150(mm)	L=200(mm)
AD=60 (Solid Al)	127	747	1022	1542	2080	70	90	110
	160	842	1142	1728	2330	120	150	170
	177	892	1210	1828	2465	140	170	190
	217	1027	1385	2081	2800	170	210	250
AD=83	150	745	950	1340	1740	70	90	110
	183	840	1070	1526	1990	120	150	170
	200	890	1140	1630	2135	140	170	190
	240	1000	1295	1863	2447	170	210	250