



Features:

- RPS, RPM, RPH indication
- Scalable input
- high & low alarm
- Programmable alarm delay

Size: 72mm X 72mm

Technical Specifications

Input Specifications

Sensor Type	PNP
Input Type	Voltage pulse (3 to 30V DC) from Proximity switches, Encoders, Solid state devices
Input Speed	Upto 3.5 kHz
Set Points	2 (Low alarm & high alarm)
Accuracy	Rate: 0.05% ± 1 counts
Scale Factor	0.001 to 9.999 x 10 ⁿ n= -3, -2, -1, 0, 1, 2

Functional Specifications

Range	4.00 to 9999 RPM
Modes	RPS, RPM, RPH (Programmable)
Counting Direction	Unidirectional (Up)
Memory Retention	10 years

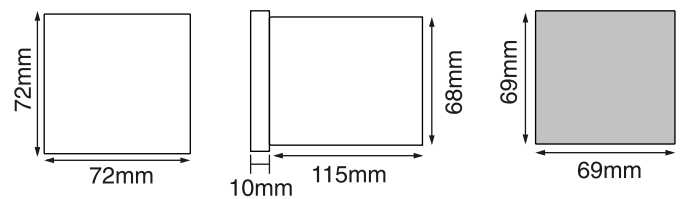
Supply Voltage

Supply Voltage	85 to 270V AC/DC (AC : 50 or 60 Hz)
----------------	-------------------------------------

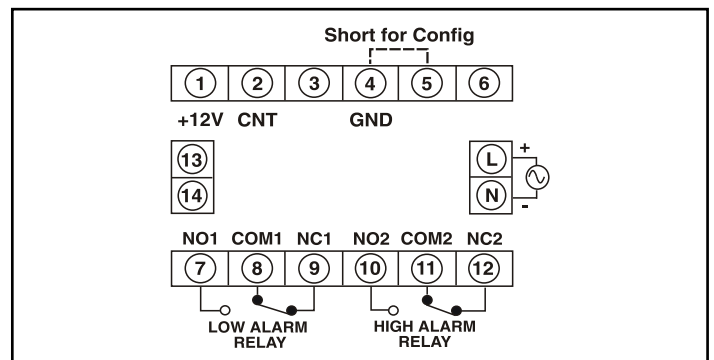
Environmental Specifications

Temperature	Operating: 0 to 50°C Storage: -5 to 50°C
Humidity (non-condensing)	95% RH
Weight	200 gms

Dimensions



Terminal Connections



Ordering Information

Part No.	Supply Voltage
RC2108	85 to 270V AC/DC