



Features:

- Auto ranging RPM indicator
- Scalable input
- Measures upto 9999 RPM
- Input speed upto 3.5KHz

Size: 72mm X 72mm

Technical Specifications

Input Specifications

Sensor Type	PNP
Input Type	Voltage pulse (3 to 30V DC) from Proximity switches, Encoders, Solid state devices
Input Speed	Up to 3.5kHz
Accuracy	Rate: 0.05% ± 2 counts
Scale Factor	0.001 to 9.999 x 10 ⁿ n= -3, -2, -1, 0, 1, 2

Output Specifications

Sensor Supply	Inbuilt, 12 VDC, ±10%, 30 mA
---------------	------------------------------

Functional Specifications

Range	4.00 to 9999 RPM
Counting Direction	Unidirectional (Up)
Memory Retention	Current count value: 1 year Parameter setting: 10 years
Scale Factor	0.001 to 9.999 x 10 ⁿ n= -3, -2, -1, 0, 1, 2

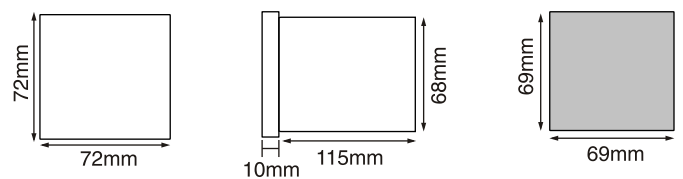
Supply Voltage

Supply Voltage	85 to 270V AC/DC (AC : 50 or 60 Hz)
----------------	-------------------------------------

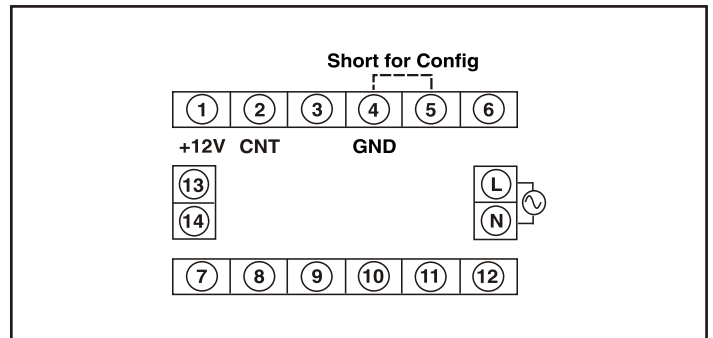
Environmental Specifications

Temperature	Operating: 0 to 50°C Storage: -5 to 50°C
Humidity (non-condensing)	95% RH
Weight	170 gms

Dimensions



Terminal Connections



Ordering Information

Part No.	Supply Voltage
RC2106	85 to 270V AC/DC