



Features:

- ON Delay / Interval
- 8 Time Ranges
- Dual Supply Voltage
- LED Status Indicator: Power ON, Relay ON
- Compact Size

Size: 1/16 DIN 48mm x 48mm

Certifications:

Technical Specifications

Input Specifications

Accuracy	Setting: ±5% of F.S. Repeat: ±0.5% or 50 msec (F.S. = Full Scale)
Reset	On interruption of power; Reset time < 100 msec

Output Specifications

Output Contact	SPDT (1 C/O)
Contact Rating	5A @ 230V AC / 24V DC, resistive

Functional Specifications

Modes	ON delay / Interval
Time Ranges	0 - 3 sec / min 0 - 10 sec / min 0 - 30 sec / min 0 - 60 sec / min

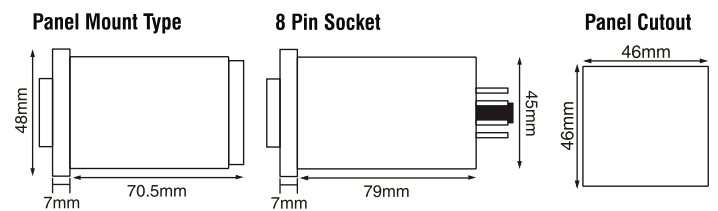
Supply Voltage

Supply Voltage	230V AC & 24V AC/DC (50 / 60Hz) 110V AC & 24V AC/DC (50 / 60Hz) -15% to 10% tolerance
Power Consumption	6VA max

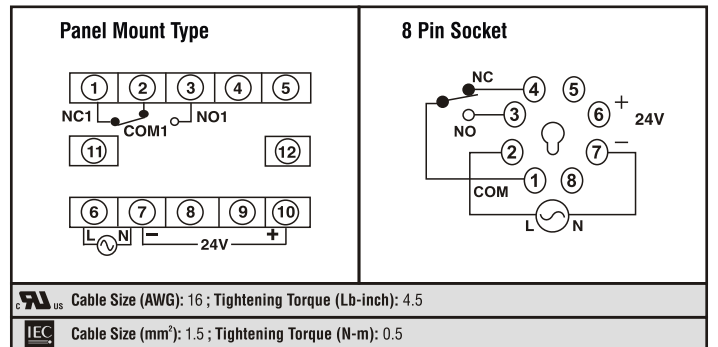
Environmental Specifications

Temperature	Operating: 0 to 50°C (32 to 122°F) Storage: -20 to 75°C (-4 to 167°F)
Humidity (non-condensing)	95% RH
Weight	80 g (0.176 lbs)
Protection Level	IP40 for faceplate

Dimensions



Terminal Connections



Cable Size (AWG): 16 ; Tightening Torque (Lb-inch): 4.5

Cable Size (mm²): 1.5 ; Tightening Torque (N-m): 0.5

Ordering Information

This product is available in certified (UL and CE) as well as in non-certified (without UL/CE marking) types. Please order as per the requirement.

Part No.	Supply Voltage		Terminal Connection		Certification
	230V AC & 24V AC/DC	110V AC & 24V AC/DC	8 Pin Socket	Panel Mount Type	
55ES-P8-230	■		■		
55ES-P8-230-CU	■		■		
55ES-T-230	■			■	
55ES-T-230-CU	■			■	
55ES-P8-110		■	■		
55ES-P8-110-CU		■	■		
55ES-T-110		■		■	
55ES-T-110-CU		■		■	

Timing Diagram

