



Features:

- Single Display, 4 digit, 7 segment LED
- TC / RTD Inputs
- PID, ON/OFF Control
- Two Setpoint
- °C / °F Selectable
- Control Output : Relay or SSR Drive (Field selectable)
- Auxiliary Output : Relay
- Easy to use

Size: 72mm x 72mm, 96mm x 96mm

Technical Specifications

Display

Digits	4 digit 7 Segment LED, Single display DTC204A-2 : Height of Display : 0.5385" DTC324A-2 : Height of Display : 0.5510"
LED Indications	Relay ON, Tune

Input Specifications

Inputs	Thermocouple (J,K,T,R,S) / RTD (Pt100)
Sampling time	250 ms
Input Filter (FTC)	0.2 to 10.0 sec
Resolution	0.1/1 for TC/RTD inputs (fixed 1 for R & S type TC input)
Temperature Unit	°C / °F selectable
Indication Accuracy	For J, K & T inputs: 0.25% of F.S. ±1° For R & S inputs: 0.5% of F.S. ±2° (20 min of warm up time for TC inputs) For RTD inputs: 0.1% of F.S. ±1° (F.S. = Full Scale)

Output Specifications

Control	1 (Field selectable as Relay / SSR)
Contact Rating (SPDT)	10A @ 250V AC / 30V DC, resistive
SSR Drive (Voltage Pulse)	12V DC ±10%, 50mA
Alarm	1 (Relay)
Contact Rating	5A @ 230V AC / 30V DC, resistive

Functional Specifications:

Control Action	1) PID 2) ON-OFF
Proportional Band (P)	1 to 400°
Integral Time (I)	0 to 9999 sec
Derivative Time (D)	0 to 9999 sec
Cycle Time	0.1 to 99.9 sec
Hysteresis Width	0.1 to 99.9°
Manual Reset Value	-19.9 to 19.9°

Functional Specifications:

Heat-cool	
Control Action	PID (with auto-tuning)
Proportional Band-Cool	0.0 to 400.0°
Cycle Time-Cool	0.1 to 99.9 sec
Dead Band	Programmable from setpoint low limit to setpoint high limit
Settings for Alarm Output	
Modes	Deviation, Absolute
Hysteresis	0.1 to 99.9°

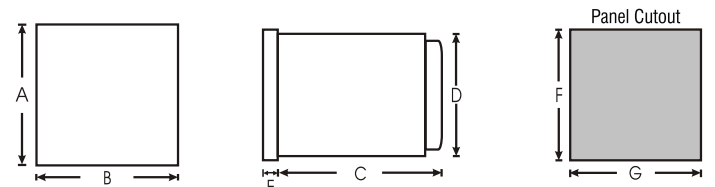
Supply Voltage

Supply Voltage	85 to 270V AC/DC (50 / 60Hz)
Power Consumption	6VA max @230V AC

Environmental Specifications

Temperature	Operating: 0 to 50°C (32 to 122°F) Storage: -20 to 75°C (-4 to 167°F)
Humidity (non-condensing)	95% RH
Weight	DTC204A-2 : 199 gms DTC324A-2 : 252 gms
Protection Level	IP65 for faceplate

Dimensions



MODELS	DIM	A	B	C	D	E	F	G
DTC204A-2		76	76	83.7	67	4.5	69	69
DTC324A-2		100	100	73	90.5	5	92	92
All dimensions are in mm								

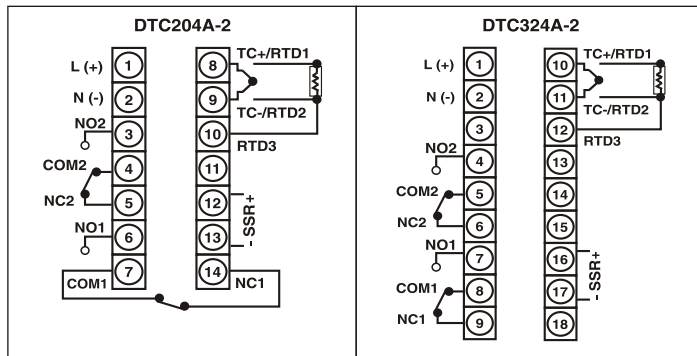
Mounting Accessories (Supplied with units)

Clamp side with screw assembled

Input Sensor Ranges

Sensor type	Resolution	Ranges	
		1	0.1
Pt100	°C	-150 to 850	-150 to 850
	°F	-238 to 1562	-199 to 999
J	°C	-199 to 750	-199 to 750
	°F	-328 to 1382	-199 to 999
K	°C	-199 to 1350	-199 to 999
	°F	-328 to 2462	-199 to 999
T	°C	-199 to 400	-199 to 400
	°F	-328 to 750	-199 to 750
R & S	°C	0 to 1750	N/A
	°F	32 to 3182	N/A

Terminal Connections



Ordering Information

Part No.	Control Output		Auxiliary Output	Supply Voltage
	Relay	12V DC SSR		
DTC204A-2	Relay	12V DC SSR	Relay	85 - 270V AC/DC
DTC324A-2	Relay	12V DC SSR	Relay	85 - 270V AC/DC

Accessories (Optional)

Standard SELEC accessories that can be used with this product.

Adapter plate

- 1) AP9672 : Plastic adapter plate, used to mount 72 x72mm size instrument into existing (96 x 96) cutout size.