



Features:

- Preset Counter
- Thumbwheel Setting
- Auto Reset
- Battery Backup

Size: 72mm X 72mm

Technical Specifications

Input Specifications

Sensor Type	NPN / PNP
Input Type	Voltage pulse (3 to 30V DC) from Proximity switches, Encoders, Solid state devices, Potential free contact
Input Speed	a) 0 to 30Hz b) 0 to 2kHz
Reset	Front (user selectable), Remote, Auto

Output Specifications

Sensor Supply	Inbuilt, 12V DC, 30mA
Output Contact	2 C/O (DPDT)
Contact Rating	5A @ 230V AC
LED Indications	Relay ON

Functional Specifications

Modes	ON delay / Interval delay / Auto reset
Setpoints	1
Range	9999
Counting Directions	Up
Memory Retention	Yes

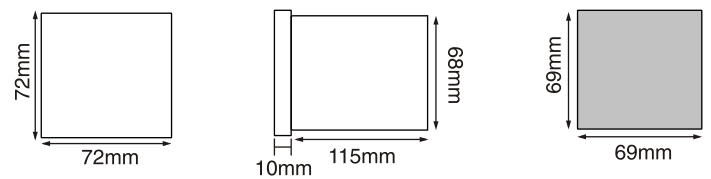
Supply Voltage

Supply Voltage	230: 230 VAC (AC : 50 or 60 Hz) 110: 110 VAC (AC : 50 or 60 Hz)
----------------	--

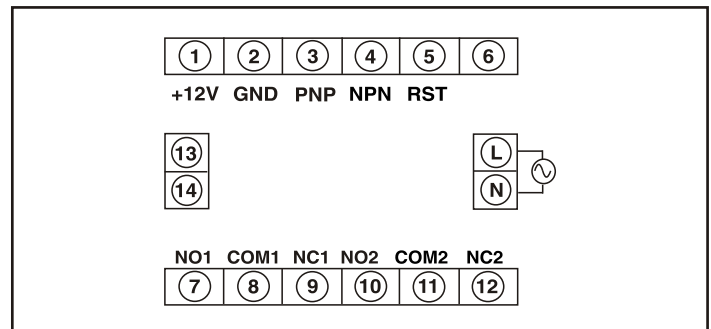
Environmental Specifications

Temperature	Operating: 0 to 50°C Storage: -5 to 50°C
Humidity (non-condensing)	95% RH
Weight	230 gms

Dimensions



Terminal Connections



Ordering Information

Part No.	Supply Voltage	Memory
XC22B-4-230	230 V AC	
XC22B-4-AR-M-230	230 V AC	■
XC22B-4-110	110 V AC	
XC22B-4-AR-M-110	110 V AC	■